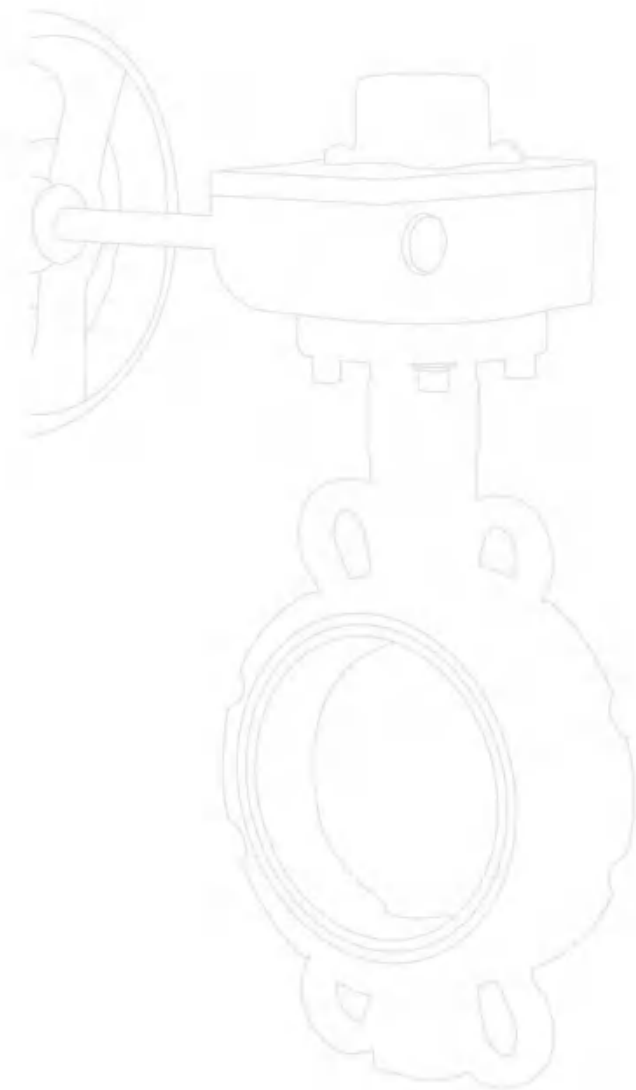


公司简介

Company profile



铝合金蝶阀系列

Aluminum Alloy Butterfly Valve Series



▲ 产品特点 Product features

- 一：结构简单，外形设计新颖独特。字体清晰，表面光滑，阀体喷塑处理。
- 二：扭矩轻，重量轻，颜色多样，便于运输安装。(如配电气动执行器可选小一档)。
- 三：顶法兰采用ISO5211及GB/T12223 双工位安装免转接盘。
- 四：阀杆经过精密加工，保证同心度，带防飞槽，防止阀杆飞出。
- 五：蝶阀采用无销轴板连接转动和双向蝶阀安装提供可靠性便于安装。
- 六：阀座设计提供了阀体和阀杆完全和介质分离，承压18公斤保压无泄漏。
- 七：现场维修提供方便，把损坏的阀座拿下。更换上新阀座即可使用。
- 八：阀体采用高压标准铝合金压铸，发货快，不受环保影响，防结露，对夹承压压力60吨无变形，测压承受压力可达3.5吨。

Product features:
 1: The structure is simple and the shape design is novel and unique. Font clear, smooth surface, spray treatment of valve body.
 2: Light torque, light weight, various colors, easy to transport and install. (if equipped with electric actuator, lower gear can be selected).
 3: The top flange adopts ISO5211 and GB / t12223 double position installation without adapter plate.
 4: The valve rod is precision processed to ensure concentricity, with anti flying groove to prevent the valve rod from flying out.
 5: The butterfly valve adopts non pin shaft plate connection, rotation and bidirectional butterfly valve installation to provide reliability and easy installation.
 6: Valve seat design provides complete separation of valve body and valve stem from medium, with pressure of 18 kg and no leakage.
 7: Site maintenance provides convenience to remove the damaged valve seat. Replace the valve seat with a new one.
 8: The valve body is made of high-pressure standard aluminum alloy die-casting, which is fast in delivery, free from environmental impact and anti condensation. The pressure of clamp is 60 tons without deformation, and the pressure bearing pressure can reach 3.5 tons.

▲ 技术参数 Technical Parameter

公称通径 Nominal Diameter	公称压力 Nominal Pressure	阀体材料 Body Material	阀板材质 Valve Plate Material	阀座材质 Seat Material	使用介质 Using Media	驱动方式 Driving Mode
DN25 - DN300	PN10 - PN16、 5K - 10K	铝合金 Aluminium Alloy	球铁镀锌、球墨铸铁、 Nodular Iron Zinc Plating, Ductile Iron 304、316、316L、 2507、1.4529。	三元乙丙、丁腈、 耐温乙丙、耐磨乙丙、 氟橡胶、硅橡胶。 EPDM, Nbrtemperature Resistant Ethylene Propylene, Wear-resistant Ethylene Propylene Fluororubber, Silicone Rubber.	水、海水、空气、 食品、油品、浆液、 粉尘等。 Water, Sea Water, Air, Food, Oil, Slurry, Dust, Etc.	手动、电动、 气动、液动。 Manual, Electric, Pneumatic And Hydraulic.

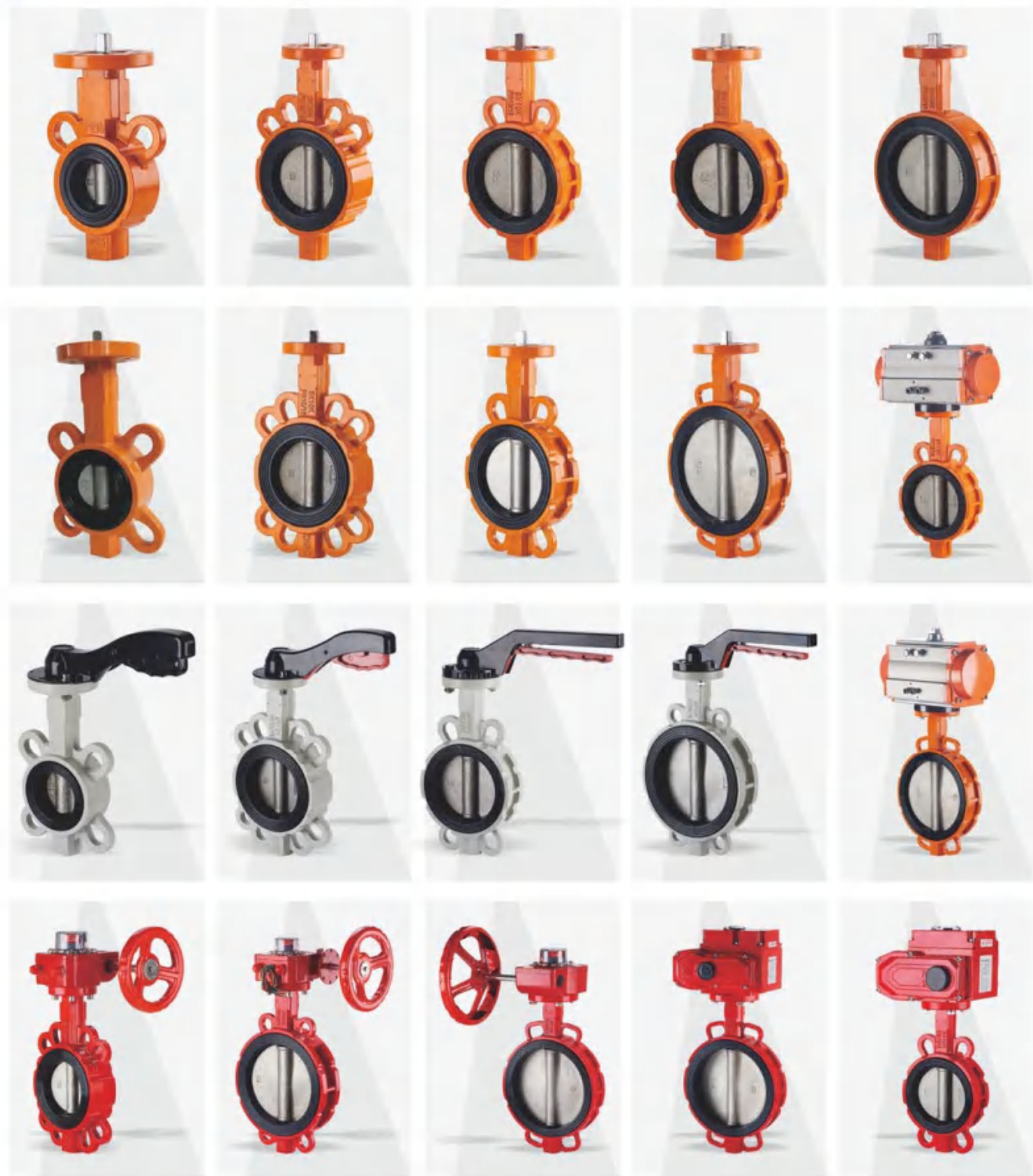




铝合金蝶阀系列
Aluminum Alloy
Butterfly Valve Series

铝合金蝶阀系列
Aluminum Alloy Butterfly Valve Series

▲ 产品集锦 Product collection

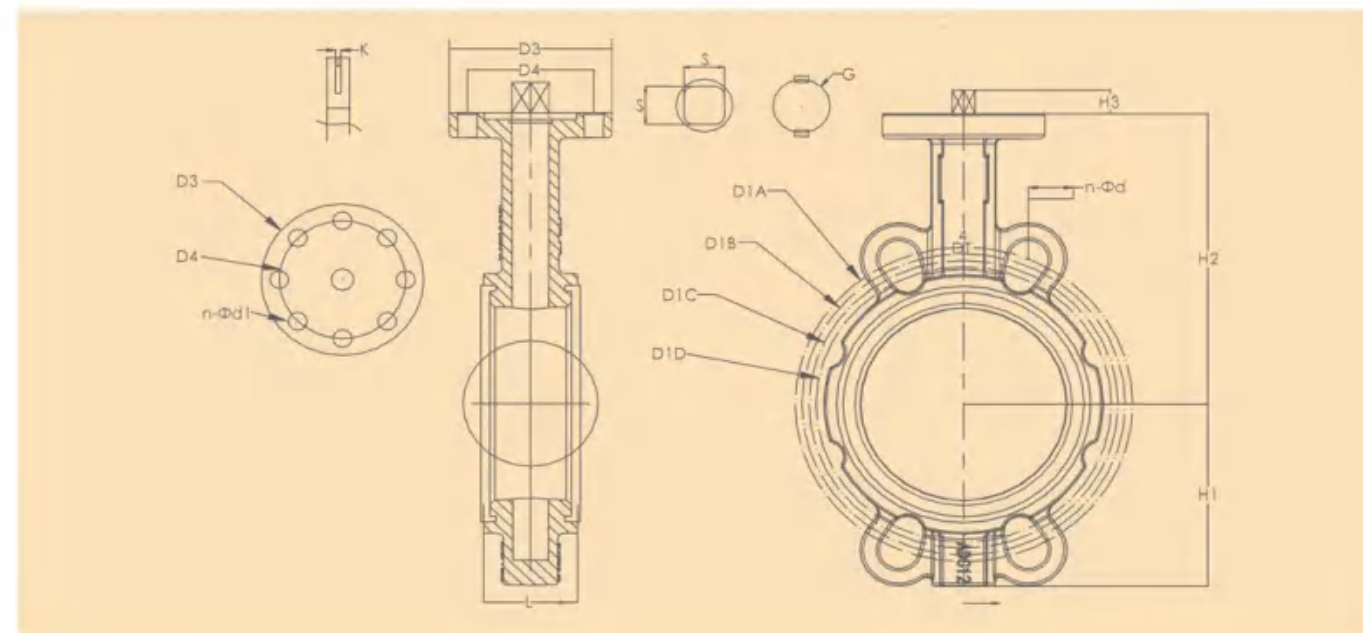


铝合金蝶阀系列
Aluminum Alloy
Butterfly Valve Series

铝合金蝶阀系列
Aluminum Alloy
Butterfly Valve Series



铝合金蝶阀系列
Aluminum Alloy Butterfly Valve Series



▲ 主要尺寸 Main Dimensions

PN10 & PN16 & 150LB/5K~10K

NPS	DN	L	150LB	PN16	PN10	5K	10K	150LB	PN16	PN10	5K	10K
			D1A	D1B	D1C	D1D	D1A	n-Φd	n-Φd	n-Φd	n-Φd	n-Φd
1/1.2	25/32	33	98.4	110	110	90	105	4-19	4-18	4-18	4-12	4-16
2	40/50	42.5	120.7	125	125	105	120	4-19	4-18	4-18	4-15	4-16
2.5	65	46	139.7	145	145	130	140	4-19	8-18	8-18	4-15	4-16
3	80	46	152.4	160	160	145	150	4-19	8-18	8-18	4-19	8-16
4	100	52	190.5	180	180	165	175	8-19	8-18	8-18	8-19	8-16
5	125	55.4	215.9	210	210	200	210	8-22	8-18	8-18	8-19	8-20
6	150	55.8	241.3	240	240	230	240	8-22	8-22	8-22	8-19	8-20
8	200	60	298.5	195	295	280	290	8-22	12-22	8-22	8-23	12-20
10	250	66.5	362	355	350	345	355	12-26	12-26	12-22	12-23	12-22
12	300	77.5	413.8	410	400	390	400	12-26	12-26	12-22	12-23	16-22

▲ 主要尺寸 Main Dimensions

PN10 & PN16 & 150LB/5K~10K

NPS	DN	H1	H2	H3/方轴	H4/圆轴	S*S/G	K	D3	D4	n-Φd1
1/1.2	25/32	56	96	14	28	9*9/12.6	3	72	50/57	8-7
2	40/50	72	133	14	28	9*9/12.6	3	70	50/57	8-7
2.5	65	86	142	14	28	9*9/12.6	3	70	50/57	8-7
3	80	95	149	14	28	9*9/12.6	3	70	50/57	8-7
4	100	108	173	18	28	11*11/15.8	5	90	70/70	8-10
5	125	125	182	18	28	14*14/18.9	5	90	70/70	8-10
6	150	139	199	18	28	14*14/18.9	5	90	70/70	8-10
8	200	170	238	25	35	17*17/22.1	5	125	102/89	4-12/14
10	250	207	283	30	40	22*22/28.45	8	125	102/89	4-12/14
12	300	236	309	30	40	22*22/31.6	8	140	102/108	4-12/14